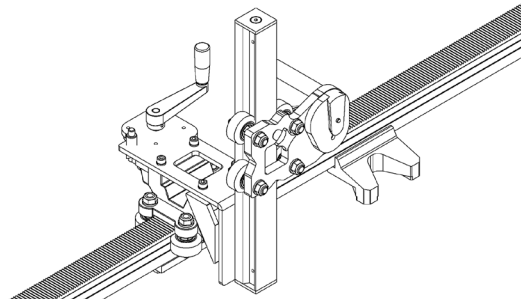


HYCON SawEZ GUIDE RAIL



PRODUCT FEATURES

The SawEZ guide rail is a unique system developed to enable contractors and semi-professionals to do mounted wall sawing like a professional without heavy and large wallsaws, and at the cost of one tenth of known wall sawing system. The versatile rail system is compatible with our handheld HCS16", HCS18" and our HRS400 ring saw.

A typical use could be to make a 187 mm pre-cut with the 18" saw, then complete the cut with HRS400 ring saw that gives a cutting depth of 300 mm. Fast setup, light weight, low cost and still high performance.

The system offers a unique adaptor system that can quickly swap between the saws making it extremely versatile. Another benefit of using the SawEZ guide rail is the ability to use the well-known power of hydraulics constant at 100% without the operator getting tired – Simple as that!

The system can be extended to be as long as you wish, as we offer sections of 1-meter rails that easily connect to your HYCON SawEZ guide rail.

HYCON SawEZ GUIDE RAIL

Item no. SawEZ guide rail	4040100
Technical information	
Weight w/o saw, kg	24
Standard rail length, cm	200
Effective cutting length, cm	177
Remote trigger	Included
Cutting depth max with HRS400, mm	300

ACCESSORIES

Adaptor	Item
Adapter HCS 16"	4040116
Adapter HCS 18"	4040118
Adapter HRS400	4040163
Adapter Retrofit HRS400*	4040164
Rail 1 meter extensionkit	4040110

*For HRS400 with S/N below: 15145



Visit our website for more: www.mactool.co.za



THE HYCON PRODUCT RANGE

CUT-OFF AND RING SAWS • CORE DRILLS • POST DRIVERS • PICK HAMMER • LIGHT & HEAVY DUTY BREAKERS
SUBMERSIBLE PUMPS • ROCK DRILLS • UNDERWATER EQUIPMENT
GASOLINE, DIESEL AND ELECTRIC POWER PACKS

MACTOOL Cape Town (Head Office)

Call: +27 21 552 8566
Fax: +27 21 552 8575
Email: sales@mactool.co.za

MACTOOL Johannesburg

Call: +27 11 823 1077
Fax: +27 11 823 1065
Email: salesjhb@mactool.co.za

MACTOOL Durban

Call: +27 31 350 4004
Fax: +27 31 350 4005
Email: saleskzn@mactool.co.za